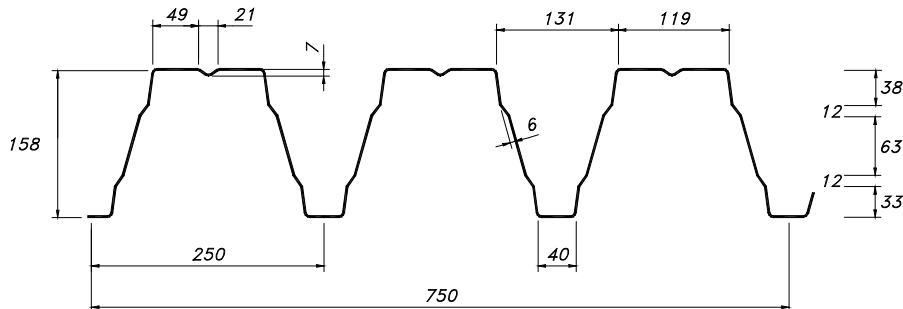


PRODUCT CERTIFICATE

SAB 158R/750



Gauge	Weight
0,75 mm	11,78 kg/m ²
0,88 mm	13,82 kg/m ²
1,00 mm	15,70 kg/m ²
1,13 mm	17,74 kg/m ²
1,25 mm	19,63 kg/m ²
1,50 mm	23,55 kg/m ²

STEEL GRADE

S-320 GD+Z / ZM / ZA / AZ

QUALITY CONTROLE

We guarantee that the product has been produced according to the valid standards and directives

REACTION TO FIRE

Incombustible, class A1 according to EN 13501-1.

SPANS

Depend on wind loads, deflection limitations and safety factors.

See our SAB-brochure for more information

STANDARDS

Production according to ISO 9001, ISO 14001 and BES 6001

CE-marking and Declaration of Performance according to EN 1090

Tolerances according to EPAQ Quality Regulations for Profiles

Steel grade according to EN 10346

Organic coating according to EN 10169

IJsselstein, March 2018